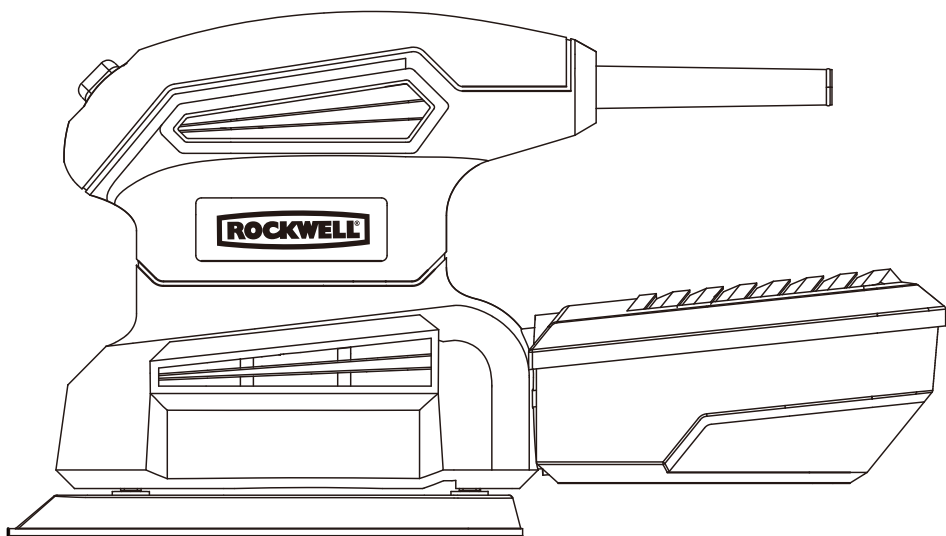


ROCKWELL®

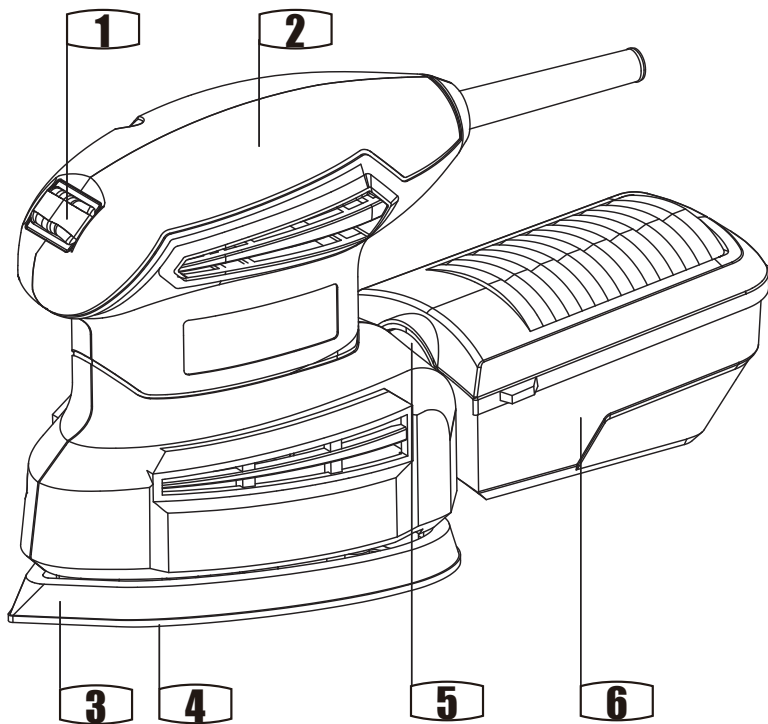


RD4061

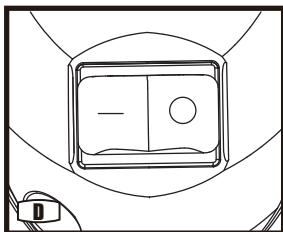
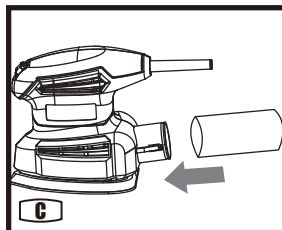
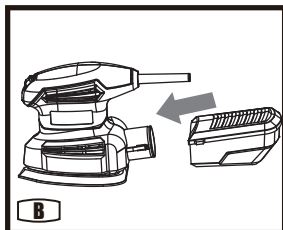
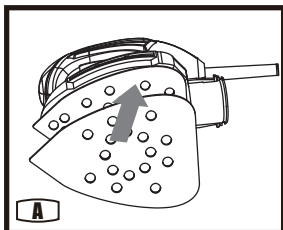
160W PALM SANDER

EN

RD4061



RD4061



COMPONENT LIST

- | | |
|---|---------------------|
| 1 | On/off switch |
| 2 | Handle |
| 3 | Sanding pad |
| 4 | Sanding paper |
| 5 | Dust outlet |
| 6 | Dust collection box |

ACCESSORIES

Dust box	1
Cloth bag	1
80 grit velcro sanding paper	1

We recommend that you purchase your accessories from the same store that sold you the tool. Refer to the accessory packaging for further details. Store personnel can assist you and offer advice.

PRODUCT SAFETY

GENERAL SAFETY WARNINGS

Warning! Read all safety warnings, instructions, illustrations and specifications provided with this power tool. Failure to follow all instructions listed below may result in electric shock, fire and/or serious injury.

SAVE ALL WARNINGS AND INSTRUCTIONS FOR FUTURE REFERENCE.

The term "power tool" in the warnings refers to your mains-operated (corded) power tool or battery-operated (cordless) power tool.

1) Work area safety

- Keep work area clean and well lit. Cluttered or dark areas invite accidents.
- Do not operate power tools in explosive atmospheres, such as in the presence of flammable liquids, gases or dust. Power tools create sparks which may ignite the dust or fumes.
- Keep children and bystanders away while

operating a power tool. Distractions can cause you to lose control.

2) Electrical safety

- Power tool plugs must match the outlet. Never modify the plug in any way. Do not use any adapter plugs with earthed (grounded) power tools. Unmodified plugs and matching outlets will reduce risk of electric shock.
- Avoid body contact with earthed or grounded surfaces, such as pipes, radiators, ranges and refrigerators. There is an increased risk of electric shock if your body is earthed or grounded.
- Do not expose power tools to rain or wet conditions. Water entering a power tool will increase the risk of electric shock.
- Do not abuse the cord. Never use the cord for carrying, pulling or unplugging the power tool. Keep cord away from heat, oil, sharp edges or moving parts. Damaged or entangled cords increase the risk of electric shock.
- When operating a power tool outdoors, use an extension cord suitable for outdoor use. Use of a cord suitable for outdoor use reduces the risk of electric shock.
- If operating a power tool in a damp location is unavoidable, use a residual current device (RCD) protected supply. Use of an RCD reduces the risk of electric shock.

3) Personal safety

- Stay alert, watch what you are doing and use common sense when operating a power tool. Do not use a power tool while you are tired or under the influence of drugs, alcohol or medication. A moment

of inattention while operating power tools may result in serious personal injury.

b) Use personal protective equipment. Always wear eye protection. *Protective equipment such as dust mask, non-skid safety shoes, hard hat, or hearing protection used for appropriate conditions will reduce personal injuries.*

c) Prevent unintentional starting. Ensure the switch is in the off-position before connecting to power source and/or battery pack, picking up or carrying the tool. *Carrying power tools with your finger on the switch or energising power tools that have the switch on invites accidents.*

d) Remove any adjusting key or wrench before turning the power tool on. *A wrench or a key left attached to a rotating part of the power tool may result in personal injury.*

e) Do not overreach. Keep proper footing and balance at all times. *This enables better control of the power tool in unexpected situations.*

f) Dress properly. Do not wear loose clothing or jewellery. Keep your hair and clothing away from moving parts. *Loose clothes, jewellery or long hair can be caught in moving parts.*

g) If devices are provided for the connection of dust extraction and collection facilities, ensure these are connected and properly used. *Use of dust collection can reduce dust-related hazards.*

h) Do not let familiarity gained from frequent use of tools allow you to become complacent and ignore tool safety principles. *A careless action can cause severe injury within a fraction of a second.*

4) Power tool use and care

a) Do not force the power tool. Use the correct power tool for your application. *The correct power tool will do the job better and safer at the rate for which it was designed.*

b) Do not use the power tool if the switch does not turn it on and off. *Any power tool that cannot be controlled with the switch is dangerous and must be repaired.*

c) Disconnect the plug from the power source and/or remove the battery pack, if detachable, from the power tool before making any adjustments, changing accessories, or storing power tools. *Such preventive safety measures reduce the risk of starting the power tool accidentally.*

d) Store idle power tools out of the reach of children and do not allow persons unfamiliar with the power

tool or these instructions to operate the power tool. *Power tools are dangerous in the hands of untrained users.*

e) Maintain power tools and accessories. Check for misalignment or binding of moving parts, breakage of parts and any other condition that may affect the power tool's operation. If damaged, have the power tool repaired before use. *Many accidents are caused by poorly maintained power tools.*

f) Keep cutting tools sharp and clean. *Properly maintained cutting tools with sharp cutting edges are less likely to bind and are easier to control.*

g) Use the power tool, accessories and tool bits etc. in accordance with these instructions, taking into account the working conditions and the work to be performed. *Use of the power tool for operations different from those intended could result in a hazardous situation.*

h) Keep handles and grasping surfaces dry, clean and free from oil and grease. *Slippery handles and grasping surfaces do not allow for safe handling and control of the tool in unexpected situations.*

5) Service

a) Have your power tool serviced by a qualified repair person using only identical replacement parts. *This will ensure that the safety of the power tool is maintained.*

6) Recommendation

Recommendation that the tool always be supplied via a residual current device having a rated residual current of 30 mA or less.

SYMBOLS



To reduce the risk of injury, user must read instruction manual



Warning



Wear ear protection



Wear eye protection



Wear dust mask



Double insulation



RCM marking

ABN: Australian Business Number. By this number, business information such as entity type, status, business location etc. can be found at website <http://abr.business.gov.au>.

ABN of Positec Australia Pty Ltd is 14 101 682 357

TECHNICAL DATA

Type RD4061 (40-designation of machinery, representative of palm sander)

Voltage	230-240V~50 Hz
Power input	160 W
No load speed	14000 /min
Orbital dia	1.0 mm
Diameter of base	140*140*80 mm
Protection class	□/II
Machine weight	0.97 kg

OPERATION INSTRUCTIONS



NOTE: Before using the tool, read the instruction book carefully.

Intended Use

The product is exclusively designed for dry sanding of wood, plastic, filler and coated surfaces.

PREPARATION



WARNING: Risk of injury!

Improper handling of the product may result in injury.

- Always remove the plug from the mains socket before carrying out any work on the product.

1. ATTACHING THE SANDING PAPER

- The material removal rate and surface quality are determined by the grain strength of the sanding paper. Use the appropriate sanding papers with different grains for working different materials.

- Clean the sanding paper every once in a while using a vacuum cleaner and replace when it is worn. Optimum sanding results can only be achieved by using clean sanding paper.

(1) Remove any dust and dirt from the sanding plate by tapping the product against a flat surface.

(2) Attach the sanding paper firmly to the sanding pad using the Velcro (See Fig. A). Make sure that the holes on the sanding paper match up with those on the sanding pad.

2. REMOVING THE SANDING PAPER

Lift the sanding paper on one side and pull it off the sanding pad.

3. DUST EXTRACTION



WARNING: Risk of injury!

Improper handling of the product may result in injury. When working with electrical appliances which can be connected to a vacuum cleaner via a vacuum cleaner adapter, there is a risk of fire! Under unfavourable conditions, wood dust in the bag of the vacuum cleaner can spontaneously ignite.

This can occur due to flying sparks or when sanding over residual metals in wood.

This is particularly likely if the wood dust is mixed with paint residues or other chemicals and the workpiece

has become hot after being used for a long time. Therefore, do not allow the material being sanded and the appliance to overheat.

Always empty the vacuum cleaner dust bag before taking work breaks.

4. USING THE DUST COLLECTION BOX

The product is equipped with a dust collection box to collect dust during work.

Make sure the dust collection box is securely attached to the dust outlet at the rear of the product before use (See Fig. B).

For a better performance, empty the dust collection box every 5–10 minutes of operation.

5. USING THE DUST OUTLET

The dust outlet can be connected to a 32 mm hose of a vacuum cleaner to collect dust during work (See Fig. C).

- Always turn the vacuum cleaner on before switching on the product.
- Always switch the product off before turning off the vacuum cleaner.

OPERATING



WARNING: – When working with the product, always hold it firmly with both hands and provide for a secure stance. The product is guided more secure with both hands.

- Secure the workpiece. A workpiece clamped with clamping devices or in a vice is held more securely than by hand.
- Take protective measures during working, such as wearing safety goggles and a protective dust mask. Dusts from materials can be harmful to your health.

1. SAFETY ON/OFF SWITCH

To start the device, connect the power plug to the mains socket firstly.

- Push down the ON/OFF switch at the position “I” to switch the product on.
- Push down the ON/OFF switch at the position “O” to switch the product off. (See Fig. D).

2. SANDING A WORKPIECE

- Switch the product on before applying it to the workpiece.
- Make sure the workpiece to be sanded is held in a vice or suitably clamped.
- Hold the handle firmly and apply minimal pressure

when working.

- Work at a constant low speed and in a circular motion.

Storage

All parts must be completely dry before being stored.

- Always store the product in the storage bag in a clean and dry area.
- Protect the product from direct sunlight.
- Make sure the mains cord of the product has no knots and kinks.
- Keep the product so that it is not accessible to children.

CLEANING AND MAINTENANCE

RISK OF ELECTRIC SHOCK!

Defective electrical installation may lead to electric shock.

- Always remove the mains plug before you clean the product.

NOTICE!

RISK OF SHORT CIRCUIT!

Water that has penetrated the housing may cause a short circuit.

- Make sure that no water penetrates the housing.
- Never immerse the product in water.

NOTICE!

RISK OF DAMAGE!

Improper handling of the product may result in damage.

- Do not use any aggressive cleaners, brushes with metal or nylon bristles, or sharp or metallic cleaning utensils such as knives, hard scrapers and the like. They could damage the surfaces.
- Always unplug the product before cleaning.
- Clean the product with a damp cloth and thoroughly dry it with a clean cloth. If necessary, use a mild detergent to remove stubborn stains.
- Use a brush to remove any sanding dust stuck to the product, if necessary.
- Regularly check the conditions of the product. Do not use the product if any damage is found on it.

The product requires no additional lubrication or maintenance. There are no serviceable parts inside the product.

Manufacturer: Positec Australia Pty Limited

Address: 10 Corporate Blvd Bayswater, VIC 3153, Australia



POSITEC AUSTRALIA PTY LTD
ABN 14 101 682 357

MADE IN CHINA